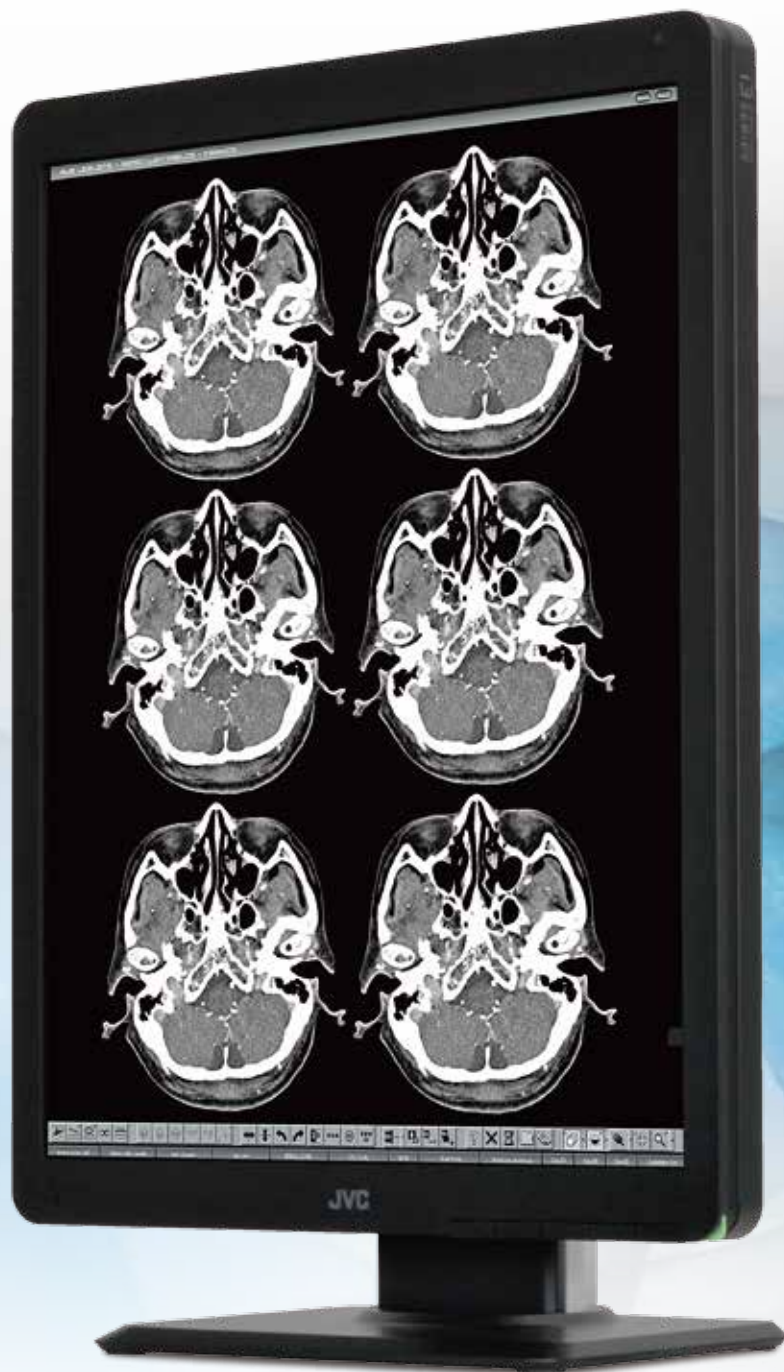


JVC

2 Megapixel 21.3" Monochrome Monitor

MS-S200

The gold standard in medical imaging



i3 for Medical Imaging
SERIES

2MP

21.3"

1900
cd/m²

1800:1

DisplayPort
&
DVI-D

Front
Sensor

6MsP
Drive

Uniformity
Equalizer

DisplayPort
Daisy
Chains

Human
Presence
Sensor

LED
Backlight

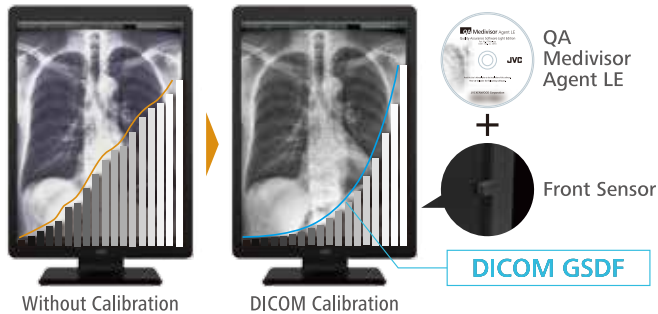
Protective
Filter

2 Megapixel 21.3" Monochrome Monitor

MS-S200

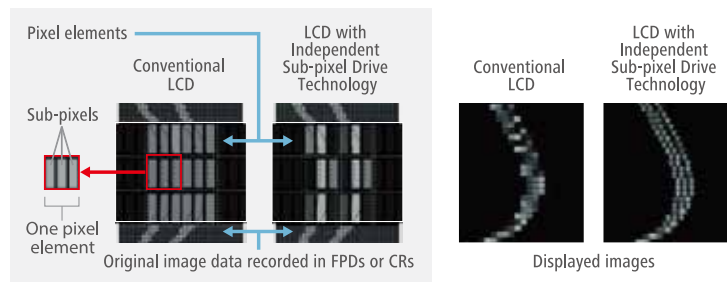
Excellent Diagnostic Visibility

MS-S200 comes with 1800:1 contrast ratio to make it the best solution for diagnostic imaging of DR, CT and MRI etc. The brighter screen dramatically increases the number of perceptual grayscale steps to improve visibility of structures. Diagnostic reading will be much more efficient. One of its unique technologies the built-in sensor ensures that the monitor constantly performs at its best.



Independent Sub-pixel Drive Technology

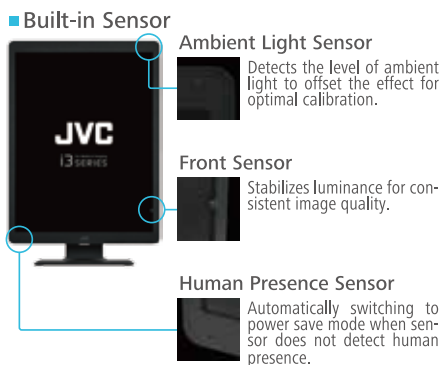
This unique technology enables MS-S200 to render 6 mega sub-pixel images, exceeding the current standards for primary diagnosis. This will be a cost-effective way of enhancing the ability of 2MP display. (Patent No.8, 259, 034B2)



*Customized viewer is required
*Independent Sub-pixel Drive technology is built in MS series only

Advanced Features

- Protective Filter
- LED Indicator / Front Buttons
- Built-in Sensor
- Space Saving
- Wire Management / DisplayPort Daisy Chains
- DICOM Conformance Check

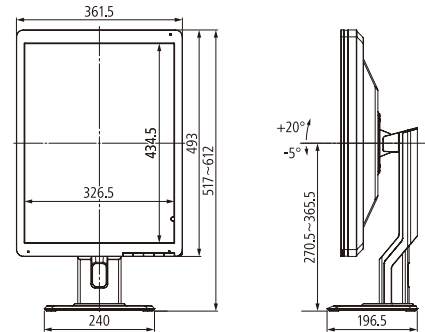


• "JVC" is a brand of medical and industrial monitors manufactured and sold by JVCKENWOOD Corporation. • Company names and product names are the registered trademarks of the respective companies. • Product specifications and appearance are subject to change without notice. • Colors in photographs may differ from actual colors due to the printing process. • Images on screens are simulated.

Specifications

Model Name	MS-S200BF : Protective Filter MS-S200BN : No Protective Filter	
LCD Panel	Technology	21.3" monochrome TFT IPS technology
	Display Area	324mm × 432mm
	Pixel Pitch	0.270m × 0.270mm
	Maximum Luminance	1900cd/m ² (typ.) 500cd/m ² (calibrated)
	Contrast Ratio	1800 : 1 (typ.)
Visual Performance	Viewing Angle	178° vertical and horizontal
	Native Resolution	1200 × 1600 (Independent Sub-pixel Drive technology ON : 1200 × 4800)
Interface	Input Signal	DVI-D (DVI 1.0 compliant) DisplayPort (DisplayPort 1.2a compliant)
	Output Signal	DisplayPort (DisplayPort 1.2a compliant)
Input Power Supply	Plug and Play	DDC2B compliant
	Input Power Supply	100V-240V / 50-60Hz
Features	Power Consumption	35W (typ.)
	Calibration Control	Luminance, Gamma Capable of storing 3 sets of LUT (Optional Calibration Kit is required)
Other Features	OSD Information Display	Model name, Serial No., Total operating time, Calibration settings (Operating time since last calibration, Luminance, Gamma), Current luminance, Ambient light, DICOM conformance
	USB Hub	USB Rev.2 compliant, Self-powered USB upstream connector (×1), USB downstream connector (×2)
Approvals	Other Features	Uniformity Equalizer, Hardware pivot, LED indicator, Advanced power management, Human Presence Sensor, Independent Sub-pixel Drive technology, Auto Text Mode, Luminance stabilization, Multiple LUT, Self DICOM check, Self-calibration
	Approvals	ANSI/AAMI ES60601-1 (2005) + A1 (2012), CAN/CSA-C22.2 No. 60601-1 (2014), CE (EN60601-1, EN60601-1-2), RCM, FCC Part15 subpart B Class B, ICES-003-B, VCCI-B, FDA510(k), J-Moss, RoHS, EAC
Physical Characteristics	Dimensions (W×H×D)	Landscape : 493.0mm × 451.3 / 546.3mm × 196.5mm Portrait : 361.5mm × 517.0 / 612.0mm × 196.5mm
	Weight	approx. 9kg
	Tilt Stand	Tilt, Swivel, Portrait / Landscape
	Mount	VESA standard (100mm × 100mm)
Accessories	Power cord, DisplayPort cable, Operation manual, USB cable, Installation manual, Software (QA Medivisor Agent LE)	

Dimensions (mm)



Options

Calibration Kit CAL-016

- QA and calibration software [QA Medivisor Agent]
- Calibration sensor



Safety Precautions

- Please read the user's manual for safe and proper use.
- Do not expose the product to dust, moisture, steam, or oily smoke. It could cause fire, electric shock, or a failure.

Please contact our distributor below with inquiries and orders.

Healthcare Business Division
JVCKENWOOD Corporation
3-12, Moriya-cho, Kanagawa-ku, Yokohama-shi, Kanagawa, 221-0022, JAPAN
TEL: +81-45-450-1908 FAX: +81-45-450-1926
Email : MEDICAL-DISPLAY.J_JKC@jvckenwood.com
JVC Healthcare Website: <http://healthcare.jvc.com/>

