

JVC

3 Megapixel 21.3" Monochrome Monitor

MS-S300

The gold standard in medical imaging



i3 for Medical Imaging
SERIES

3MP

21.3"

2000
cd/m²

1500:1

DisplayPort
&
DVI-D

Front
Sensor

9MsP
Drive

Uniformity
Equalizer

DisplayPort
Daisy
Chains

Human
Presence
Sensor

LED
Backlight

Protective
Filter

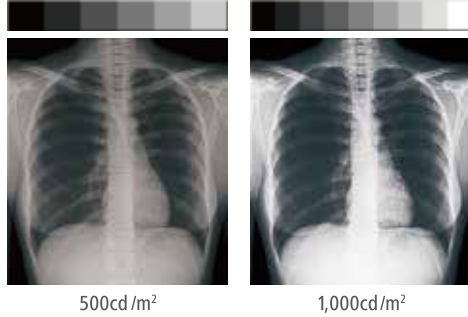
3 Megapixel 21.3" Monochrome Monitor

MS-S300

Improved Diagnostic Visibility

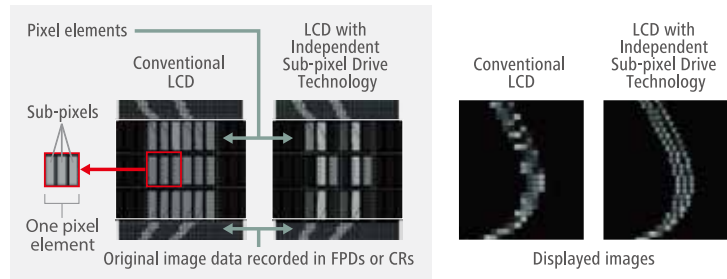
MS-S300 comes with 1,000 cd/m² calibration to make it the best solution for diagnostic imaging of DR, CT, MRI etc. The brighter screen dramatically increases the number of perceptual grayscale steps to improve visibility of structures. PACS diagnostic reading will be much more efficient.

Visual comparison (image)



Independent Sub-pixel Drive Technology

This unique technology enables MS-S300 to render 9 mega sub-pixel images, exceeding the current standards for primary breast image diagnosis. MS-S300 is cleared for FDA 510(k) for the use of digital mammography and breast tomosynthesis.

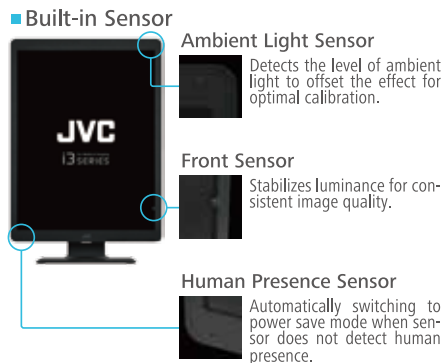


*Customized viewer is required

*Independent Sub pixel Drive technology is built in MS series only

Advanced Features

- Protective Filter
- LED Indicator / Front Buttons
- Built-in Sensor
- Space Saving
- Wire Management / DisplayPort Daisy Chains
- DICOM Conformance Check

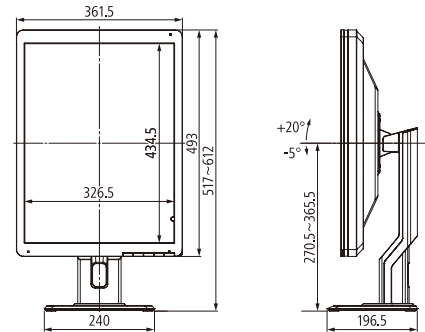


• "JVC" is a brand of medical and industrial monitors manufactured and sold by JVCKENWOOD Corporation. • Company names and product names are the registered trademarks of the respective companies. • Product specifications and appearance are subject to change without notice. • Colors in photographs may differ from actual colors due to the printing process. • Images on screens are simulated.

Specifications

Model Name	MS-S300BF : Protective Filter MS-S300BN : No Protective Filter	
LCD Panel	Technology	21.3" monochrome TFT IPS technology
	Display Area	324 mm × 433 mm
	Pixel Pitch	0.2115 mm × 0.2115 mm
	Maximum Luminance	2000 cd/m ² (typ.) 500 cd/m ² / 1000 cd/m ² (calibrated)
	Contrast Ratio	1500 : 1 (typ.)
	Viewing Angle	178° vertical and horizontal
Visual Performance	Native Resolution	1536 × 2048 (Independent Sub-pixel Drive technology ON : 1536 × 6144)
	Grayscale	256 shades of grayscale are simultaneously displayed from a palette of 16,369 grayscale steps *1024 or 10-bit shades of grayscale with DisplayPort and 10-bit viewer *1276 shades of grayscale by using Independent Sub-pixel Drive technology
Interface	Input Signal	DVI-D (DVI 1.0 compliant) DisplayPort (DisplayPort 1.2a compliant)
	Output Signal	DisplayPort (DisplayPort 1.2a compliant)
	Plug and Play	DDC2B compliant
Input Power Supply	Input Power Supply	100 V - 240 V 50 / 60 Hz
	Power Consumption	35W (typ.)
Features	Calibration Control	Luminance, Gamma, Capable of storing 3 sets of LUT (Optional Calibration Kit is required)
	OSD Information Display	Model name, Serial No., Total operating time, Calibration settings (Operating time since last calibration, Luminance, Gamma), Current Luminance, Ambient light, DICOM conformance
	USB Hub	USB Rev.2 compliant, Self-powered USB upstream connector (×1), USB downstream connector (×2)
	Other Features	Uniformity Equalizer, Hardware pivot, LED indicator, Advanced power management, Human Presence Sensor, Independent Sub-pixel Drive technology, Auto Text Mode, Luminance stabilization, Multiple LUT, Self DICOM check, Self-calibration
	Approvals	ANSI/AAMI ES60601-1 (2005) + A1 (2012), CAN/CSA-C22.2 No. 60601-1 (2014), CE (EN60601-1, EN60601-1-2), FCC Part15 subpart B Class B, ICES-003-B, VCCI-B, RCM, J-Moss, RoHS, EAC
FDA	510(k) Cleared to use for diagnostic purposes with digital medical images for Digital mammography PACS, Modalities including FFDM, and Breast tomosynthesis	
Physical Characteristics	Dimensions (W×H×D)	Landscape : 493 mm × 451.3 / 546.3 mm × 196.5 mm Portrait : 361.5 mm × 517 / 612 mm × 196.5 mm
	Weight	approx. 10.2 kg
	Tilt Stand	Tilt, Swivel, Portrait / Landscape
	Mount	VESA standard (100 mm × 100 mm)
Accessories	Power cord, DisplayPort cable, USB cable, Operation manual, Installation manual, Software (QA Medivisor Agent LE)	

Dimensions (mm)



Options

Calibration Kit CAL-016

- QA and calibration software [QA Medivisor Agent]
- Calibration sensor



Safety Precautions

- Please read the user's manual for safe and proper use.
- Do not expose the product to dust, moisture, steam, or oily smoke. It could cause fire, electric shock, or a failure.

Please contact our distributor below with inquiries and orders.

Healthcare Business Division
JVCKENWOOD Corporation
3-12, Moriya-cho, Kanagawa-ku, Yokohama-shi, Kanagawa, 221-0022, JAPAN
TEL: +81-45-450-1908 FAX: +81-45-450-1926
Email : MEDICAL-DISPLAY.J_JKC@jvckenwood.com
JVC Healthcare Website: <http://healthcare.jvc.com/>