

# JVC

3 Megapixel 21.3" Monochrome Monitor

# MS 35 i2



# 3 Megapixel Monochrome Monitor

High Luminance and High Contrast  
3MP Monochrome Monitor  
for diagnostic imaging

21.3"

1700  
cd/m<sup>2</sup>

1400:1

16Bit  
LUT

DisplayPort  
&  
DVI-D

Calibration  
Function

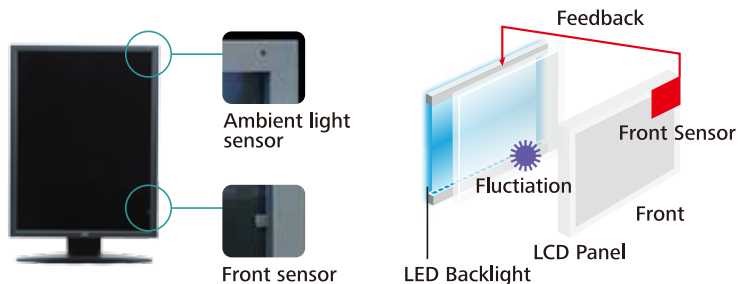
Color/  
Monochrome  
Conversion

Uniformity  
Equalizer

LED  
Backlight

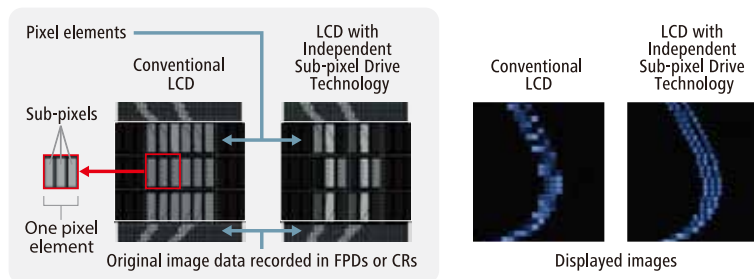
## Luminance Stabilizing System λ-Sentinel

With two built-in sensors for luminance stabilization and ambient light measurement, MS35i2 consistently delivers unmatched image quality.



## Independent Sub-pixel Drive Technology

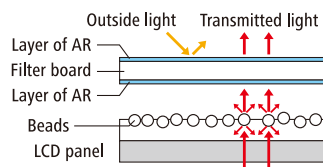
This unique technology enables the MS35i2 to render 9 mega sub-pixel images, exceeding the current standards for primary mammography diagnosis. The MS35i2 is cleared for FDA 510(k) for the use of Digital Mammography. (Patent No.8,259,034B2)



\*Customized viewer is required  
\*Independent Sub pixel Drive technology is built in MS series only

## Front Protective Filter

\*MS35i2/F only  
The front filter protects the LCD surface against damage and prevents contamination. It comes with anti-refractive coating to improve focus, noise reduction and contrast.



## Uniformity Equalizer

Luminance uniformity correction system produces stable images across the screen.

## DICOM Conformance Check

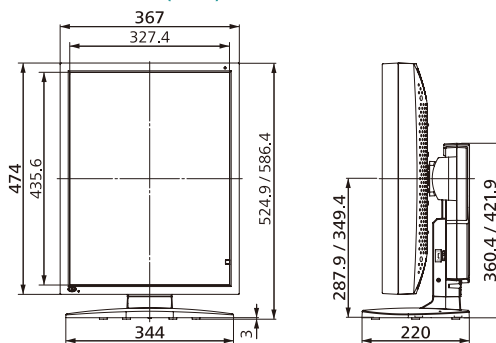
User friendly OSD functions include DICOM conformance check function.

●“JVC” is a brand of medical and industrial monitors manufactured and sold by JVCKENWOOD Corporation. ●Company names and product names are the registered trademarks of the respective companies. ●Product specifications and appearance are subject to change without notice. ●Colors in photographs may differ from actual colors due to the printing process. ●Images on screens are simulated.

## Specifications

|                                 |  |  |
|---------------------------------|--|--|
| <b>Model Name</b>               | MS35i2/AR : AR Coating<br>MS35i2/F : Protective Filter<br>MS35i2/N : No AR Coating or Protective Filter  |  |
| <b>LCD Panel</b>                | <b>Technology</b>  | 21.3" monochrome TFT IPS technology  |
|                                 | <b>Display Area</b>  | 324.86 mm × 433.15 mm  |
|                                 | <b>Pixel Pitch</b>   | 0.2115 mm × 0.2115 mm  |
|                                 | <b>Contrast Ratio</b>  | 1400 : 1 (typ.)  |
|                                 | <b>Maximum Luminance</b>   | 1700 cd/m <sup>2</sup> (typ.), 500 cd/m <sup>2</sup> - 410 cd/m <sup>2</sup> (calibrated)  |
| <b>Visual Performance</b>       | <b>Viewing Angle</b>   | 176° vertical and horizontal   |
|                                 | <b>Native Resolution</b>   | 1536 × 2048 (Independent Sub-pixel Drive technology ON : 1536 × 6144)  |
| <b>Interface</b>                | <b>Input Signal</b>  | DVI-D (DVI 1.0 compliant)<br>DisplayPort (DisplayPort 1.1a compliant)  |
|                                 | <b>Plug and Play</b>   | DDC2B compliant  |
| <b>Input Power Supply</b>       | <b>Input Power Supply</b>  | 100 V - 240 V 50 / 60 Hz   |
|                                 | <b>Maximum Power Consumption</b>   | 60 W (typ.)  |
| <b>Features</b>                 | <b>Calibration Control</b>   | Luminance, Gamma Capable of storing 3 sets of LUT (Optional Calibration kit is required)   |
|                                 | <b>OSD Information Display</b>   | Model name, Serial No., Total operating time, Calibration settings (Operating time since last calibration, Luminance, Gamma), Current luminance and Ambient light, DICOM conformance |
|                                 | <b>USB Hub</b>   | USB Rev.2.0 compliant, Self-powered<br>USB upstream connector (×1),<br>USB downstream connector (×2)   |
|                                 | <b>Other Features</b>  | Uniformity Equalizer, Hardware pivot, LED indicator, Advanced power management, λ-Sentinel, Multiple LUT, Independent Sub-pixel Drive technology, Self DICOM check                   |
| <b>Approvals</b>                | ANSI/AAMI ES60601-1 (2005) + A1 (2012), CAN/CSA-C22.2 No. 60601-1 (2014), CE (EN60601-1, EN60601-1-2), RCM, FCC Part15 subpart B Class B, ICES-003-B, VCCI-B, CCC, FDAS10(k), J-Moss, RoHS |  |
| <b>Physical Characteristics</b> | <b>Dimensions (W × H × D)</b>  | Landscape : 474 mm × 471.4 / 532.9 mm × 220 mm<br>Portrait : 367 mm × 524.9 / 586.4 mm × 220 mm  |
|                                 | <b>Weight</b>  | approx. 12 kg  |
|                                 | <b>Tilt Stand</b>  | Tilt, Swivel, Portrait / Landscape   |
|                                 | <b>Mount</b>   | VESA standard (100 mm × 100 mm)  |
| <b>Security Slot</b>            | Anti-theft security slots (display and tilt stand)   |  |
| <b>Accessories</b>              | Power cord, DVI cable, DisplayPort cable, USB cable, User manual, Cleaning kit*<br>*AR Coating model only  |  |

## Dimensions (mm)



## Interface



### Safety Precautions

- Please read the user's manual for safe and proper use.
- Do not expose the product to dust, moisture, steam, or oily smoke. It could cause fire, electric shock, or a failure.

Please contact our distributor below with inquiries and orders.

Healthcare Business Division  
JVCKENWOOD Corporation  
3-12, Moriya-cho, Kanagawa-ku, Yokohama-shi, Kanagawa, 221-0022, JAPAN  
TEL: +81-45-450-1908 FAX: +81-45-450-1926  
E mail : medical-display.jvckenwood.com  
JVC Healthcare Website : <http://healthcare.jvc.com/>