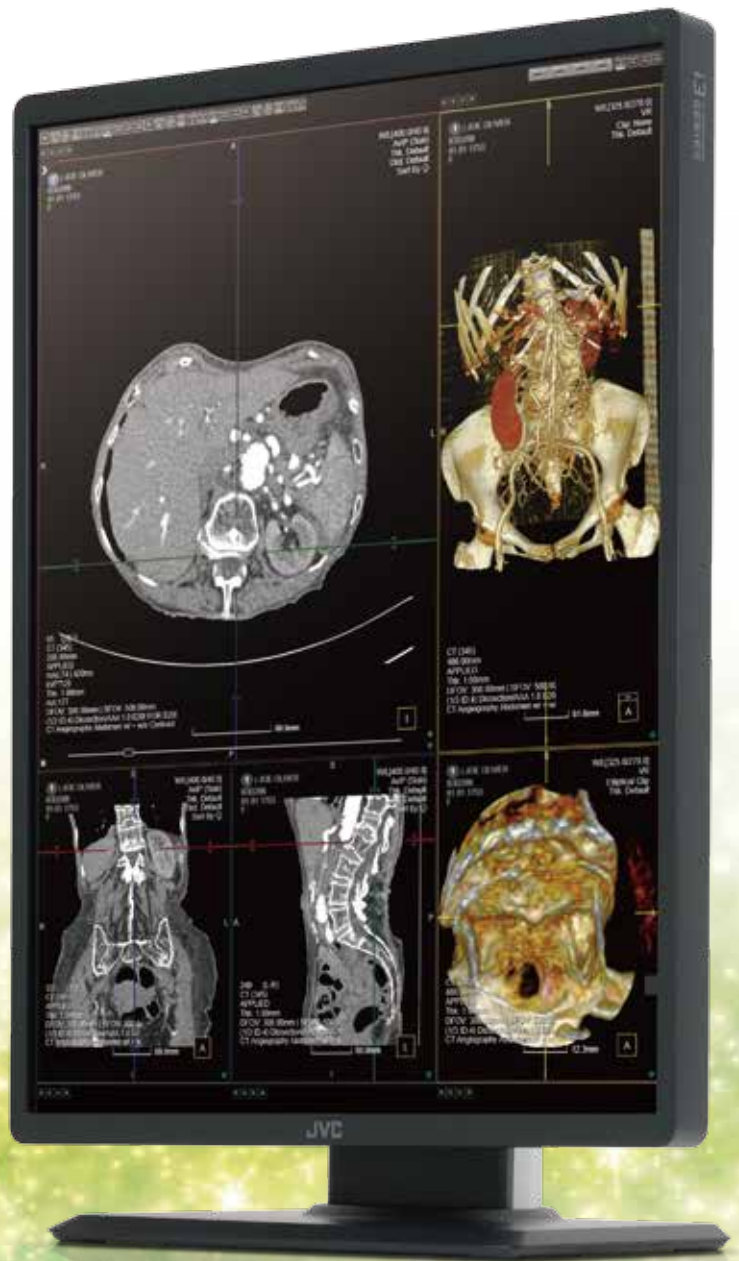


JVC

3 Megapixel 21.3" Color Monitor

CL-S301

The gold standard in medical imaging



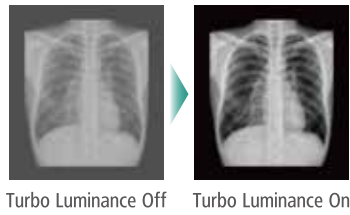
i3 for Medical Imaging
SERIES

- 3MP
- 21.3"
- 1150 cd/m²
- 2000:1
- USB Type-C
- Self Calibration
- Uniformity Equalizer
- Color Front Sensor
- Dynamic Gamma
- Turbo Luminance
- Visual Point Mode
- Multi Pixel Enhancer
- Auto Text Mode
- Medivisor Utility
- Wide Color Gamut
- Light Box Mode
- DisplayPort Daisy Chains

3 Megapixel 21.3" Color Monitor CL-S301

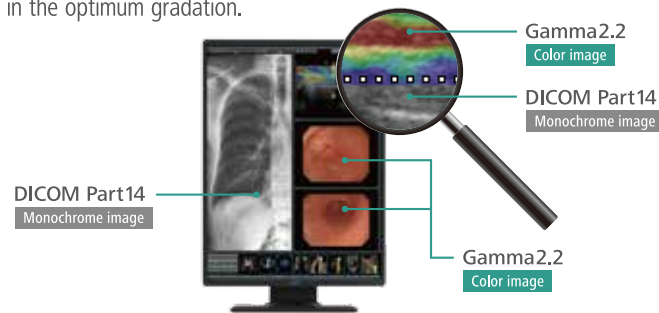
Clearly Defined Visibility

The versatile 3-megapixel color medical monitor, CL-S301 supercharged with Turbo Luminance boosts brightness and contrast for 30 seconds to magnify identifiable grayscale gradations, keeping DICOM GSDF of monochrome medical images for incredible and reliable display performance.



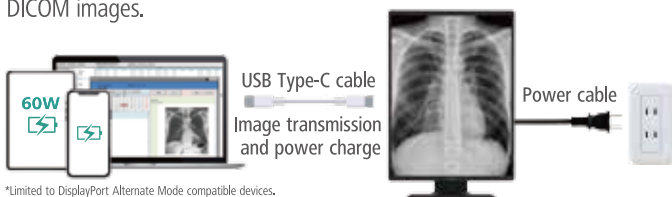
Dynamic Gamma

The Dynamic Gamma function (patented No. 6277984) can automatically identify pixels of monochrome and color images to display each of them in the optimum gradation.



Flexible Reading with Smart Connection

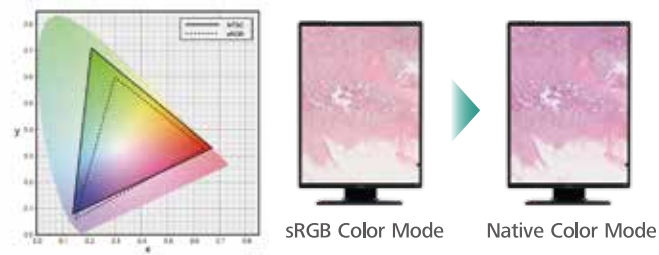
One USB type-C cable realizes power charge under smart connection between laptops or tablets and the monitor. Anywhere you can see DICOM images.



*Limited to DisplayPort Alternate Mode compatible devices.

True Tone for Expanding Diagnostic Capabilities

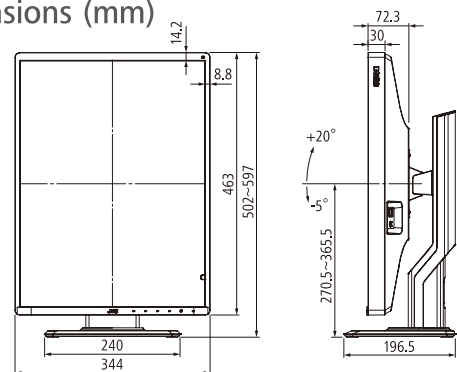
A wider color gamut of approximately 94% NTSC, Native Color Mode ensures that every minute detail is captured with precision, especially contributing to pathological diagnosis.



Specifications

Model Name		CL-S301
LCD Panel	Technology	21.3" color TFT IPS technology
	Display Area	324.86 mm × 433.15 mm
	Pixel pitch	0.2115 mm × 0.2115 mm
	Maximum Luminance	1150 cd/m ² (typ.) 410 cd/m ² / 500 cd/m ² (calibrated)
	Contrast Ratio	2000 : 1 (typ.)
	Viewing Angle	178° vertical and horizontal
Visual Performance	Native Resolution	1536 × 2048
	Display Colors	1.07 billion colors from a palette of 440 billion colors with 10-bit viewer
Interface	Input Signal	DisplayPort (DisplayPort 1.2a compliant) × 2 USB-C (DisplayPort Alt Mode) × 1
	Output Signal	DisplayPort (DisplayPort 1.2a compliant)
Input Power Supply	Input Power Supply	100 V - 240 V, 50 / 60Hz
	Power Consumption	45 W (typ.)
Features	Calibration Control	Luminance, Gamma, Color temperature Capable of storing 3 sets of LUT (Optional Calibration Kit is required)
	OSD Information Display	Model name, Serial No., Total operating time, Calibration settings (Operating time since last calibration, Luminance, Gamma), Current luminance, Ambient light, DICOM conformance
	USB Hub	USB upstream connector USB2.0 : Type-B × 2, USB2.0 : USB Type-CTM (DisplayPort Alt Mode, Power Delivery Max 60W) × 1 USB downstream connector USB2.0 : Type-A × 3
	Other Features	Uniformity Equalizer, Hardware pivot, LED indicator, Advanced power management, Auto Text Mode, Dynamic Gamma, Turbo Luminance, Luminance stabilization, Visual Point Mode, Multi Pixel Enhancer, Light Box Mode, Multiple LUT, Self DICOM check, Self-calibration
Approvals		ANSI/AAMI ES 60601-1 : 2005/A2 : 2021, CAN/CSA C22.2 No. 60601-1 : 14/ AMD2 : 2022, FCC-B, ICES-003-B, CE, UKCA, RCM, VCCI-B, FDA 510(k), RoHS, J-Moss, KC <small>*Please contact JVC for latest information.</small>
Physical Characteristics	Dimensions (W×H×D)	Landscape : 463.0 mm × 442.5 - 537.5 mm × 196.5 mm Portrait : 344.0 mm × 502.0 - 597.0 mm × 196.5 mm
	Weight	approx. 8.5 kg
	Tilt Stand	Tilt, Swivel, Portrait / Landscape
	Mount	VESA standard (100 mm × 100 mm)
Accessories		Power cord, DisplayPort cable, USB cable Type-A to Type-B, USB cable Type-C to Type-C, Operation manual, Installation manual, Software (QA Medivisor Agent LE)

Dimensions (mm)



Options

Calibration Kit CAL-016

QA and calibration software [QA Medivisor Agent]
Calibration sensor



• "JVC" is a brand of medical and industrial monitors manufactured and sold by JVCKENWOOD Corporation. • Company names and product names are the registered trademarks of the respective companies. • Product specifications and appearance are subject to change without notice. • Colors in photographs may differ from actual colors due to the printing process. • Images on screens are simulated.

Safety Precautions

- Please read the user's manual for safe and proper use.
- Do not expose the product to dust, moisture, steam, or oily smoke. It could cause fire, electric shock, or a failure.

Please contact our distributor below with inquiries and orders.

Healthcare Business Division
JVCKENWOOD Corporation
3-12, Moriya-cho, Kanagawa-ku, Yokohama-shi, Kanagawa, 221-0022, JAPAN
TEL: +81-45-450-1908 FAX: +81-45-450-1926
Email : MEDICAL-DISPLAY.J_JKC@jvckenwood.com
JVC Healthcare Website: <http://healthcare.jvc.com/>

