

JVC

1.3 Megapixel 19" Color Monitor

CL-R190



1.3

Megapixel
Color Monitor

Wide viewing angles for clinical data and medical imaging
with DICOM calibration function

19"

Wide
Viewing
Angle
IPS Panel

1000:1

10Bit
LUT

DisplayPort
DVI-D
VGA

Calibration
Function

LED
Backlight

Wide Viewing Angles with the IPS Panel, LED Backlight

IPS panel technology provides high brightness, a wide viewing angle and accuracy in color. LED Backlight system contributes more stability in images and energy saving.

Color Calibration

Color calibration function to reproduce colors precise to the original and grayscale compliant with DICOM Part 14 standard.

* Optional calibration kit CAL-016 is required for calibration.



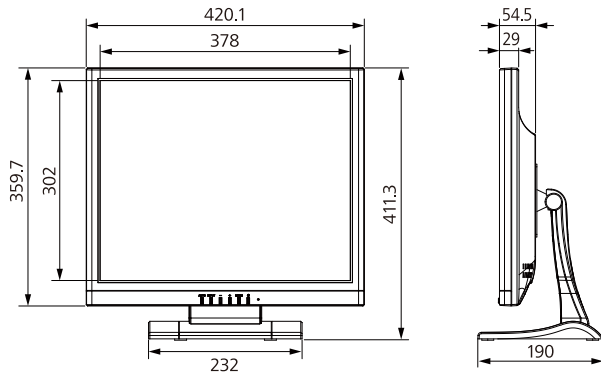
Luminance Stabilizing System

The Luminance sensor in back constantly monitors and accurately stabilizes luminance on the screen to optimize image quality.

Multi-interface

CL-R190 provides for two digital interfaces (DVI-D, DisplayPort), and an analog interface (D-Sub mini 15pin).

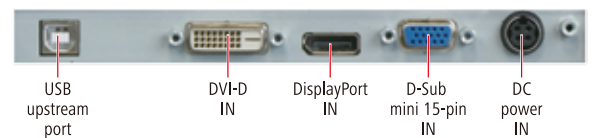
Dimensions (mm)



Specifications

Model Name		CL-R190
LCD Panel	Technology	19" color TFT IPS technology
	Display Area	374.78 mm × 299.82 mm
	Pixel Pitch	0.292 mm × 0.292 mm
	Contrast Ratio	1000 : 1 (typ.)
	Maximum Luminance	250 cd/m ² (typ.), 150 cd/m ² / 180 cd/m ² (calibrated)
	Viewing Angle	178° vertical and horizontal
Visual Performance	Native Resolution	VGA (640 × 480) ~ SXGA (1280 × 1024)
	Grayscale	16.77 million colors from a palette of 1.064 billion colors
Interface	Input Signal	Digital : DVI-D, DisplayPort Analog : D-Sub mini 15pin
	Plug and Play	DDC2B compliant
Input Power Supply	Input Power Supply	AC 100 - 250 V, 50 / 60 Hz
	Maximum Power Consumption	22 W (max.)
Features	Calibration Control	Luminance, Gamma, Color temperature (Optional Calibration kit is required)
	OSD Information Display	Model name, Serial No., Total operating time, Calibration settings
Approvals		CE(EN60601-1, EN60601-1-2), VCCI-B, J-Moss, RoHS
Physical Characteristics	Dimensions (W × H × D)	419.6 × 411.3 × 190 mm
	Weight	4.4 kg
	Tilt Stand	Tilt
	Mount	VESA standard (100 mm × 100 mm)
	Security Slot	Anti-theft security slots
Accessories		AC adapter, Power cord, DisplayPort cable, DVI cable, USB cable, Instruction manual

Interface



●“JVC” is a brand of medical and industrial monitors manufactured and sold by JVCKENWOOD Corporation. ●Company names and product names are the registered trademarks of the respective companies. ●Product specifications and appearance are subject to change without notice. ●Colors in photographs may differ from actual colors due to the printing process. ●Images on screens are simulated.



Safety Precautions

- Please read the user's manual for safe and proper use.
- Do not expose the product to dust, moisture, steam, or oily smoke. It could cause fire, electric shock, or a failure.

Please contact our distributor below with inquiries and orders.

Healthcare Business Division
JVCKENWOOD Corporation
3-12, Moriya-cho, Kanagawa-ku, Yokohama-shi, Kanagawa, 221-0022, JAPAN
TEL: +81-45-450-1908 FAX: +81-45-450-1926
Email : MEDICAL-DISPLAY.J_JKC@jvckenwood.com
JVC Healthcare Website : <http://healthcare.jvc.com/>